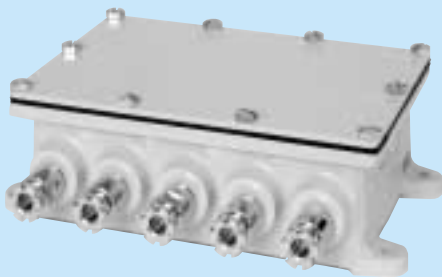


# SJB-C/D & JBS-C

## Junction Boxes



SJB-4D



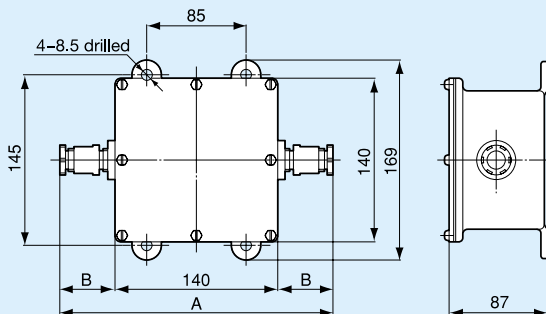
JBS-4C

A junction box is used when connecting a load cell and amplifier using an extension cable or when connecting cables of multiple load cells to an amplifier using a single cable for weighing a tank or hopper. The SJB-C/D are designed for general purpose and the JBS-C is for use under hazardous, explosive environment.

### Model

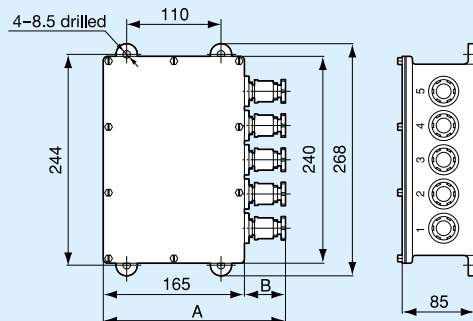
Model	Number of Connectable Load Cells	Applicable Cable Diameter	Remarks
SJB-1C	1	10 to 11 mm (15C)	4-conductor (0.5 mm <sup>2</sup> ) shielded cable
SJB-4C	4		
SJB-1D	1	7 to 8 mm (10B)	4-conductor (0.3 mm <sup>2</sup> ) shielded cable
SJB-4D	4		
JBS-1C	1	10 to 11 mm as specified	Explosionproof rating d2G4
JBS-4C	4		

### SJB-1C/1D



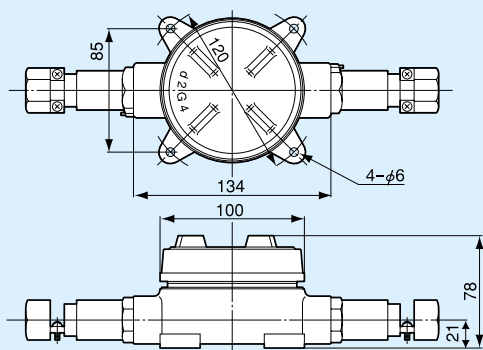
Model	A	B	Weight (Approx.)
SJB-1C	234	47	2.3 kg
SJB-1D	226	43	2.2 kg

### SJB-4C/4D



Model	A	B	Weight (Approx.)
SJB-4C	212	47	4.7 kg
SJB-4D	208	43	4.4 kg

### JBS-1C



### JBS-4C

